

# EV02

## TWO-STATION CARPORT



FIG. 1 STRIP FOOTINGS

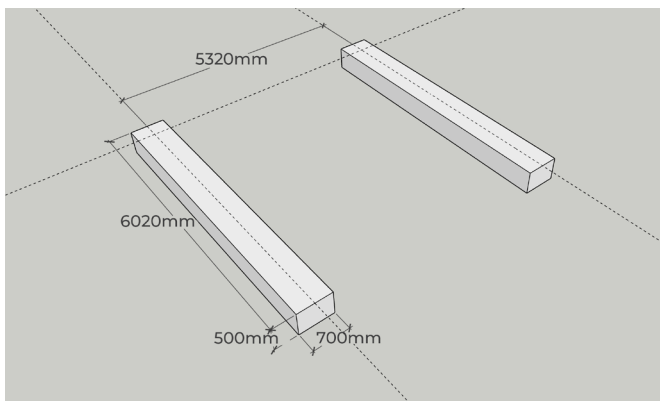
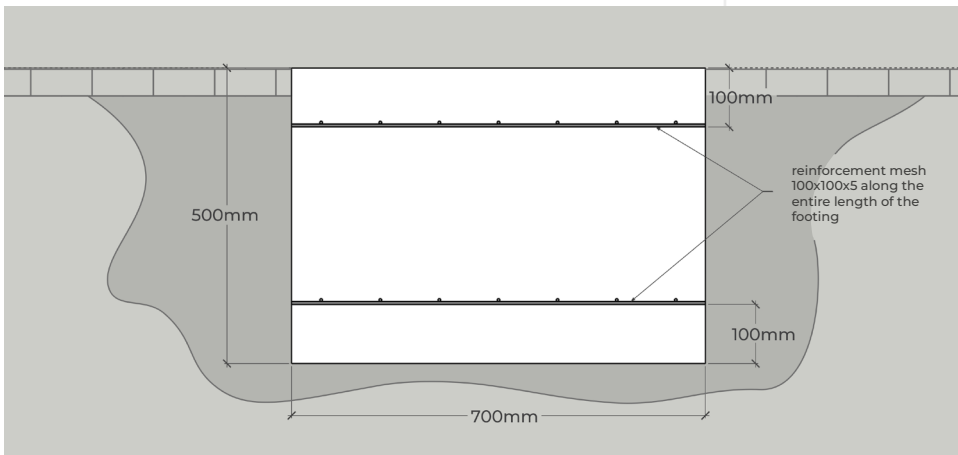


FIG. 2 STRIP FOOTING CROSS-SECTION



STRIP FOOTING

Bench in the shape of a cuboid with dimensions:  
70cm x 602cm x 50cm (width x length x depth)

Upper reinforcement - 10cm x 70cm

Bottom reinforcement - 10cm x 70cm

Concrete class - B25

Spacing acc. Fig. 1