

EV02

DOPPELCARPORT



ABB. 1 STREIFENFUNDAMENTE

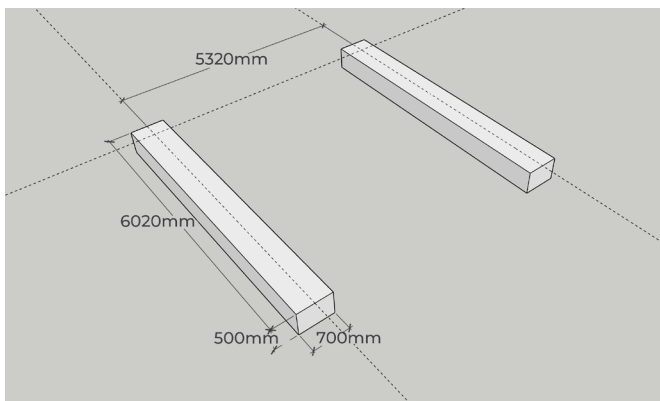
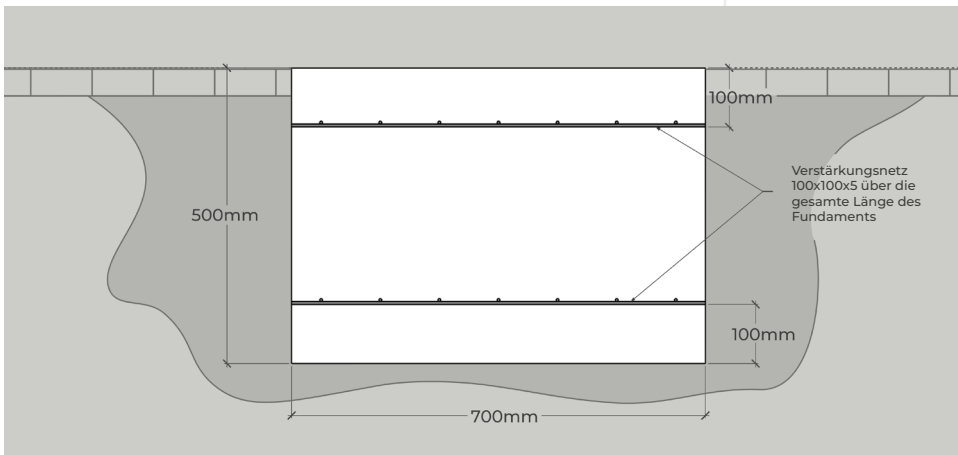


ABB. 2 QUERSCHNITT DES STREIFENFUNDAMENTS



STREIFENFUNDAMENTE

Bench in the shape of a cuboid with dimensions:
70cm x 602cm x 50cm (width x length x depth)

Upper reinforcement - 10cm x 70cm

Bottom reinforcement - 10cm x 70cm

Concrete class - B25

Spacing acc. Fig. 1