

EV01

TWO-STATION CARPORT



FOUNDATION FOOTING

Foundations in the shape of a cuboid with dimensions: 70cm x 70cm x 130cm (width x length x depth)

The foundation should be flush with the ground surface

Concrete class - B25

Spacing acc. Fig. 1

FIG. 1 FOUNDATION FOOTINGS

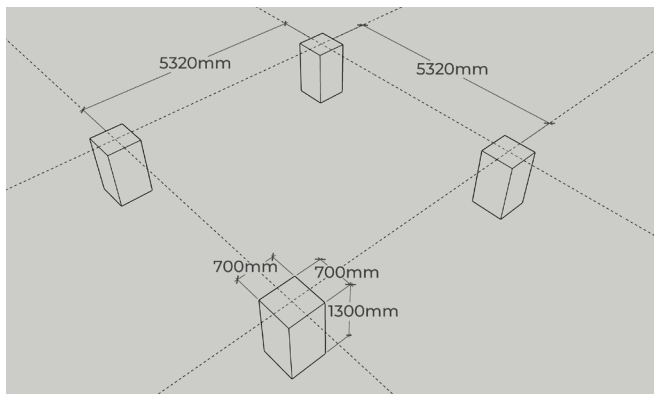
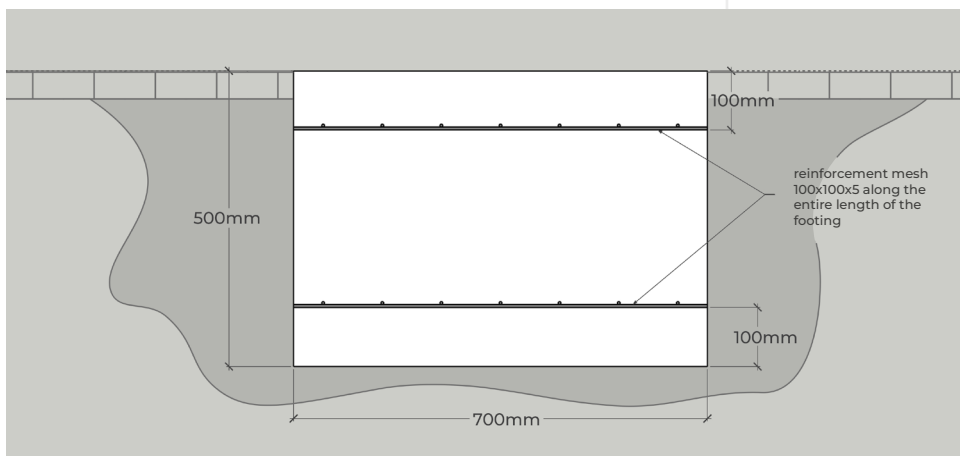


FIG. 3 STRIP FOOTING CROSS-SECTION



STRIP FOOTING

Bench in the shape of a cuboid with dimensions: 70cm x 602cm x 50cm (width x length x depth)

Upper reinforcement - 10cm x 70cm

Bottom reinforcement - 10cm x 70cm

Concrete class - B25

Spacing acc. Fig. 2

FIG. 2 STRIP FOOTINGS

